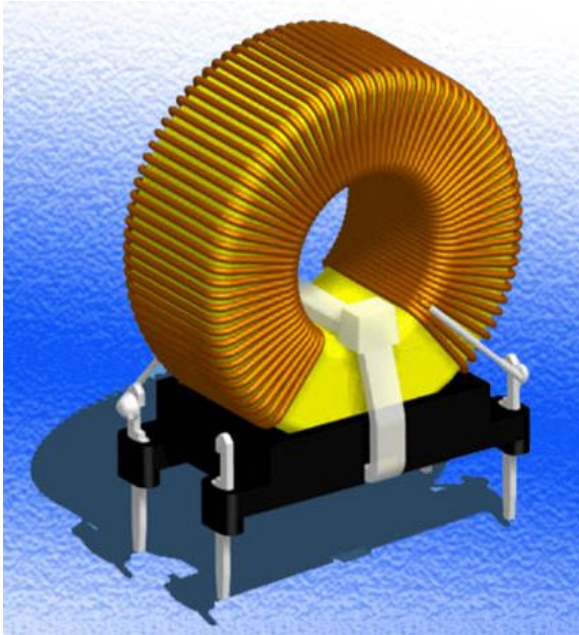




**VSM Series
Differential Mode Chokes**



SELECTION GUIDE			
Order Code	Current (Amps)	Inductance (mH±25%)	Resistance (mΩ±10%)
VSM200	2.0	0.5	370
VSM400	4.0	0.21	105
VSM600	6.0	0.12	45
VSM800	8.0	0.085	29

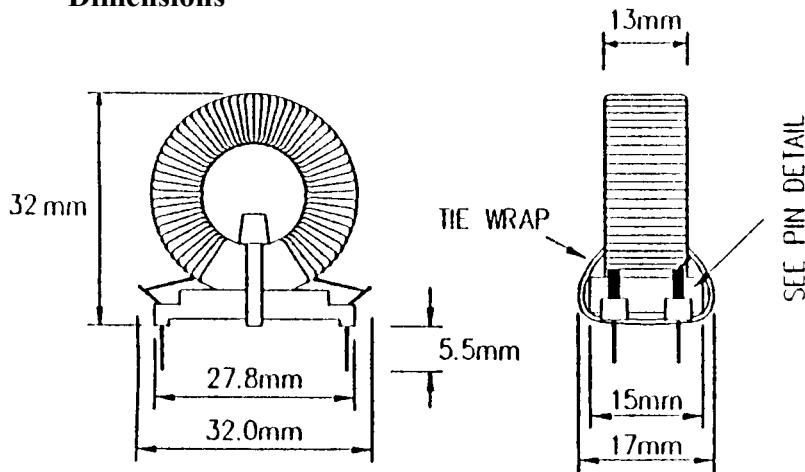
Specification	
Rated Voltage	250V AC
Line Frequency	DC to 440Hz
Temperature Range	-25 to 100°C
Temperature Rise	30°C @Rated Current

The chokes are intended for use in AC and DC circuits up to 250Vrms and 440Hz.

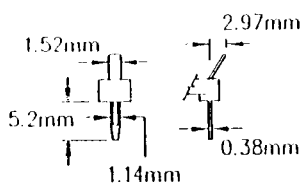
FEATURES & APPLICATIONS

A range of vertically mounted toroidal differential mode suppression chokes, with current ratings from 0.5A at 2.15mH. Ratings relate to a temperatures rise of 30°C.

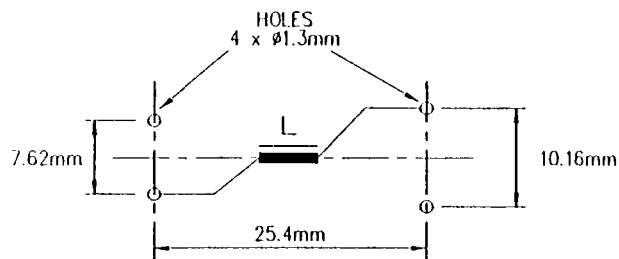
Dimensions



Pin Details



Circuit Diagram



Note: Tolerance: ±0.25mm