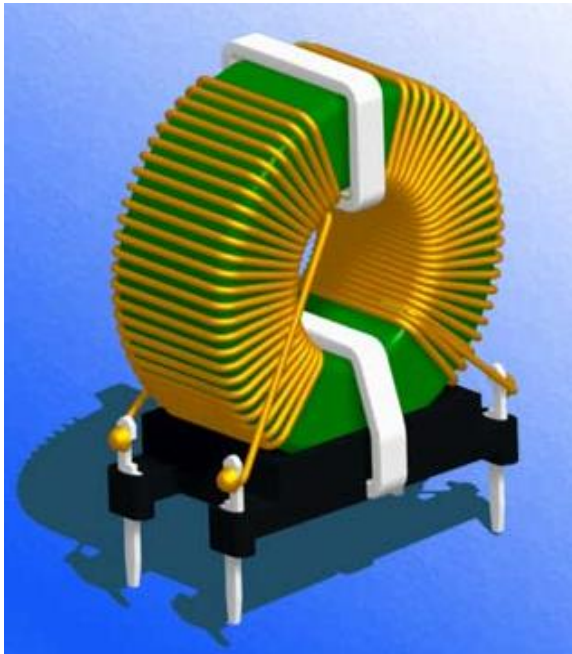




VCM Series
Common Mode Chokes



SELECTION GUIDE

Order Code	Current (Amps)	Inductance (mH±25%)	Resistance (mΩ±10%)
VCM100	1.0	18	480
VCM200	2.0	7.5	160
VCM400	4.0	2.4	40
VCM600	6.0	1.4	19
VCM800	8.0	0.74	9.6

Specification

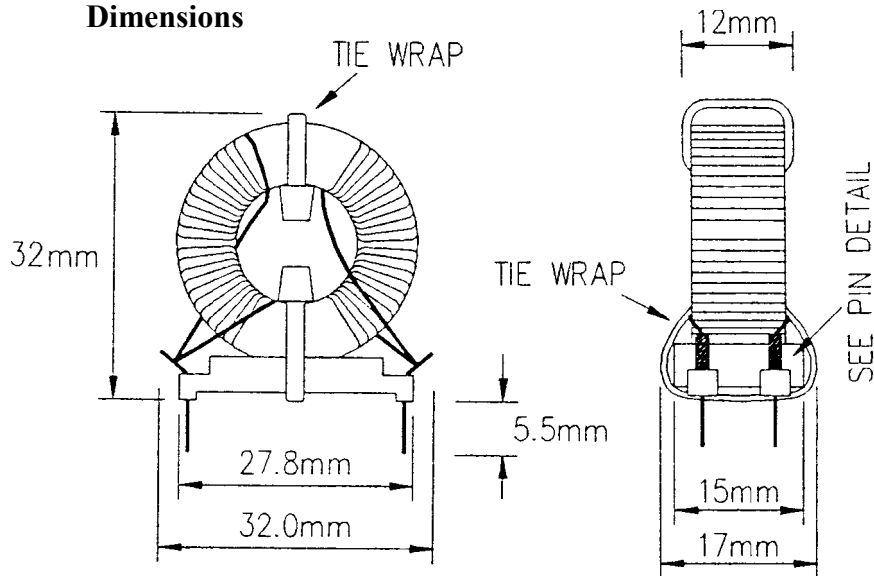
Rated Voltage	250V AC
Test Voltage	2500V AC
Line Frequency	DC to 440Hz
Temperature Range	-25 to 100°C
Temperature Rise	30°C @Rated Current

FEATURES & APPLICATIONS

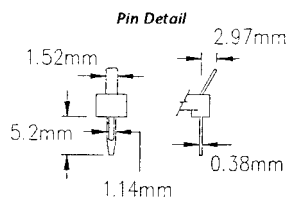
A range of vertically mounted toroidal common mode suppression chokes, with current ratings from 0.5A at 40mH to 8A at 0.74mH. Current ratings relate to a temperature rise of

The chokes are intended for use in AC and DC circuits up to 250Vrms and 440Hz.

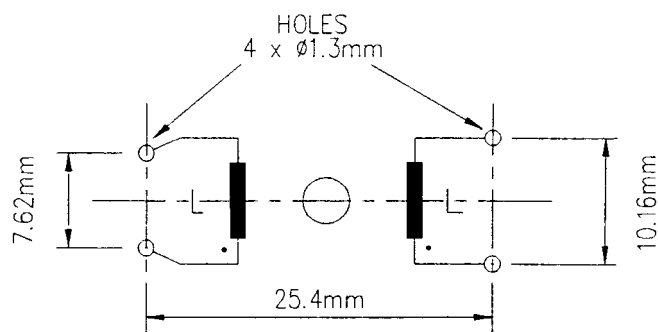
Dimensions



Pin Details



Circuit Diagram



Note: Tolerance: ±0.25mm